

SWARCO

COMBIA CIRCULAR

Traffic signal



Our Signal for greater Sustainability

The LED Traffic Light Optimized For Circularity

With COMBIA CIRCULAR, you are choosing not only top-tier manufacturing quality, durability, and reliability, but also making a significant contribution toward a circular economy. The CIRCULAR LED signal head from the COMBIA traffic light range stands out thanks to its housing made from 100% circular-economy-optimized material – based on post-consumer recycled polycarbonate. This reflects our forward-looking material philosophy, significantly reducing dependence on fossil resources.

COMBIA CIRCULAR is a key step toward CO₂ reduction, waste prevention, and lifecycle optimization. This signal head also guarantees long service life and UV resistance. By integrating FUTURIT low-energy LED modules, we ensure minimal power consumption during operation, resulting in measurable CO₂ savings. Even at the end of its product life, COMBIA CIRCULAR points in a sustainable direction: all components and materials are designed to be easily separated by type and prepared for recycling. Additional product advantages include faster maintenance thanks to wide opening angles and reduced installation time due to simple aspect access. Naturally, COMBIA CIRCULAR is also a smart signal head, equipped with intelligent features in each half-aspect, making it ready for the era of Smart Mobility.

Product advantages

- COMBIA CIRCULAR complements the well-known COMBIA family with a life cycle optimized product consisting of post-consumer recycled material (>90% PCR)
- Significantly reduced CO₂ emissions from the housing (-60%)
- Unchanged COMBIA design with familiar mechanical properties improves the environmental balance for the end customer
- A milestone for the circular economy of technical plastics
- Documented and verified environmental data available on request
- Existing LED modules and fixings can continue to be used
- Produced with 100% green electricity (approx. 50% from our own photovoltaic system)
- Produced in ISO 14001 / ISO 45001 certified factory
- faster maintenance: opening angle of the front doors to the left or right up to 175° at 200 mm and up to 150° at 300 mm
- design cover for aesthetic silhouette optionally available for 200 mm



SafeLight

Ground projection for pedestrian safety

Sound

Acoustic signal for pedestrian orientation

- Smart functions 'SafeLight, AirDec, LaneCom' can be used individually
- Easily expandable and prepared for smart additional functions (CCAM)
- Optional: integrated 'Sound' acoustic unit in half chamber
- Reduced installation time thanks to quick and easy opening of the chambers
- Simple clamping technology for LED cabling
- Elastic, plug-in dimming screens
- Simple cable routing between the chambers
- Mounting option for contrast screens prepared

Technical details

Material	UV-stabilized polycarbonate, of which at least 90% post-consumer recycled material
Diameters, Mounting	200 / 300 mm aspects: 1-4, vertical or horizontal
Smart features	integrated as 1/2 aspect version for 200 mm, on top and / or bottom
IP protection	IP55
Impact resistance	IR3, IK07
Temperature range	-40°C to +60°C
Protection class	SK II (depending on the version)
LED-Optic	200 / 300 mm LED modules FUTURLED6 optional: also possible in combination
Fixing	<ul style="list-style-type: none"> • 70 mm brackets (polycarbonate) • (optional: 175 mm polycarbonate and 105/183/240 mm aluminium) • Fixing elements for flat iron bracket / whip mast fastening • M8 / M12 mounting
Backing boards	fixing on the back of the housing
Housing / front colours	RAL 9005 black / RAL 9005 black
Certificates	EN 12368, CE



AirDec

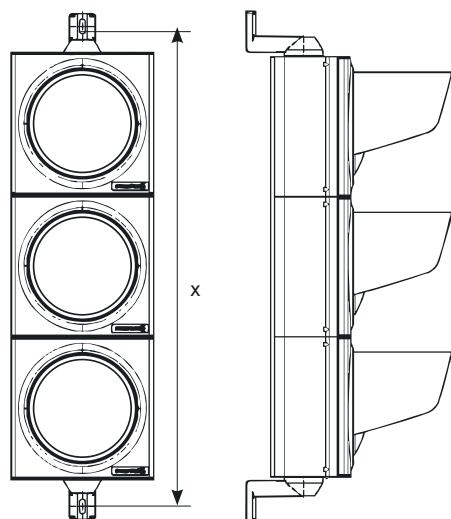
Measurement of air quality and environmental data

LaneCom

Sensors for road user detection

Height x

200 mm	1 aspect	2 aspects	3 aspects	4 aspects
PC 70	397 +/- 13	677 +/- 12	957 +/- 11	----
PC 70 (with double-toothed disc)	407 +/- 13	687 +/- 11	967 +/- 11	----
PC 175	413 +/- 7	693 +/- 6	973 +/- 6	----
Alu 105 / 183 / 240	404 +/- 16	684 +/- 15	964 +/- 15	1244 +/- 15
300 mm	1 aspect	2 aspects	3 aspects	4 aspects
PC 70	487 +/- 13	857 +/- 12	1227 +/- 11	----
PC 175	503 +/- 6	873 +/- 5	1243 +/- 5	----
Alu 105 / 183 / 240	494 +/- 16	846 +/- 15	1243 +/- 15	1604 +/- 15



Two-point fixing

All figures in mm