

SWARCO

COMBIA CILANE

TRAFFIC SIGNAL



THE SMART LED TRAFFIC SIGNAL

The LED traffic signal CILANE is a variant of the COMBIA traffic light family, which is not only made of UV-stabilized polycarbonate, but has also powder coated aluminum cover, brackets and rear panel. This combination of polycarbonate and aluminium gives this signal head an elegant, shapely design. Both modern one-point and the classical two-point fixing are possible for CILANE. Smart additional functions can be integrated individually in a half aspect and turn this traffic signal into an intelligent system.

KEY BENEFITS

- the smart features „SafeLight, AirDec, LaneCom“ can be installed individually
- optional: integrated acoustic unit „Sound“ in a half aspect
- shapely design – polycarbonate and aluminum
- Individual color combinations of rear design panel, cover and brackets
- faster maintenance: opening angle of the front doors to the left or right up to 175°
- at 200 mm and up to 150° at 300 mm
- reduced assembly time by simply and quickly opening the aspects
- simple type of clamping technology for LED cabling
- elastic, plug-in visors
- easy cable routing between the aspects
- modern one-point or classic two-point fixing
- mounting of backing boards is prepared





SAFELIGHT

Ground projection for pedestrian safety



SOUND

Acoustic signal for pedestrian orientation



AIRDEC

Measurement of air quality and environmental data



LANECOM

Sensors for road user detection

TECHNICAL DETAILS

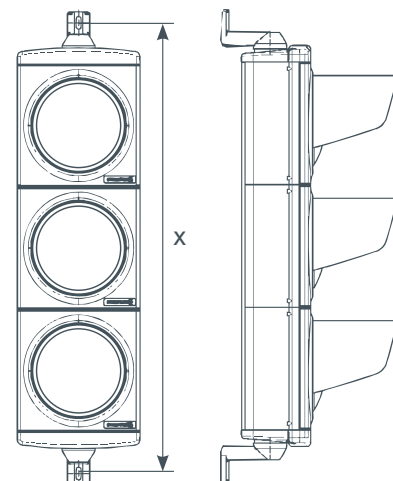
Material	UV-stabilized polycarbonate, powder coated aluminum: cover, bracket and rear panel
Diameters, Mounting	200 / 300 mm aspects: 1-5, vertical or horizontal
Smart features	integrated in 200 mm half aspect, on top and/or bottom
IP protection	IP55
Impact resistance	IR3, IK07
Temperature	-40°C to +60°C
Protection class	SK II (depending on the version)
LED-Optic	200 / 300 mm LED modules FUTURLED6

Two-point fixing	<ul style="list-style-type: none"> 105 / 183 / 240 mm mm brackets (aluminium) fixing for ironflats or on cantilever bracket M8 / M12 / M20 mounting
One-point fixing	<ul style="list-style-type: none"> on top of a pole 42,5 / 64 / 76 mm DSI bracket
Backing boards	fixing on the back of the housing
Housing / front colours	<ul style="list-style-type: none"> RAL 9005 black RAL 6009 fir-green
Colours of rear design panel and cover	<ul style="list-style-type: none"> RAL 7032 light grey RAL 9005 black RAL 9006 white-aluminum RAL 7031 blue-grey more colours on request
Certificates	EN 12368, CE

HEIGHT X - Alu 105 / 183 / 240

	200 mm	300 mm
1 aspect	469 +/- 15	554 +/- 15
2 aspects	749 +/- 14	924 +/- 14
3 aspects	1029 +/- 13	1294 +/- 13
4 aspects	1309 +/- 12	1664 +/- 12
5 aspects	1589 +/- 9	2034 +/- 9

All figures in mm



Two-point fixing