

SWARCO

COMBIA CIFLOW

TRAFFIC SIGNAL



THE SMART LED TRAFFIC SIGNAL

The LED traffic signal CIFLOW is a variant of the COMBIA traffic light family, which is made of UV-stabilized polycarbonate optionally in combination with a powder coated aluminum cover and brackets. This gives the signal head not only visually appealing appearance, but also ensures stability and mechanical strength. The CIFLOW fits perfectly into any cityscape due to individual colour combinations in terms of housing, cover and rear design profile. The CIFLOW can thus be mounted either by means of modern one-point or classic two-point fixing. Furthermore this traffic signal can be equipped with individual smart functions in a half aspect and is therefore ready for the age of „smart mobility“.

KEY BENEFITS

- the smart features „SafeLight, AirDec, LaneCom“ can be installed individually
- optional: integrated acoustic unit „Sound“ in a half aspect
- faster maintenance: opening angle of the front doors to the left or right up to 175° at 200 mm and up to 150° at 300 mm
- reduced assembly time by simply and quickly opening the aspects
- Individual color combinations – housing, cover in polycarbonat or aluminum, rear design profil
- simple type of clamping technology for LED cabling
- elastic, plug-in visors
- easy cable routing between the aspects
- modern one-point or classic two-point fixing
- mounting of backing boards is prepared





SAFELIGHT

Ground projection for pedestrian safety



SOUND

Acoustic signal for pedestrian orientation



AIRDEC

Measurement of air quality and environmental data



LANECOM

Sensors for road user detection

TECHNICAL DETAILS

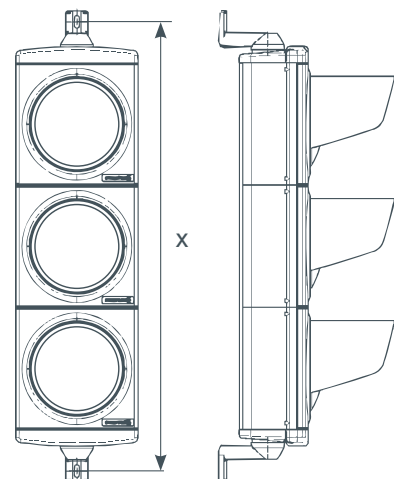
Material	UV-stabilized polycarbonate, powder coated aluminum cover and bracket PC design cover and PC bracket
Diameters, Mounting	200 / 300 mm aspects: 1-5, vertical or horizontal
Smart features	integrated as 1/2 aspect version for 200 mm, on top and / or bottom
IP protection	IP55
Impact resistance	IR3, IK07
Temperature	-40°C to +60°C
Protection class	SK II (depending on the version)
LED-Optic	200 / 300 mm LED modules FUTURLED6

Two-point fixing	<ul style="list-style-type: none"> 105 183 / 240 mm brackets (aluminium); 70 / 175 mm brackets (polycarbonat) M8 / M12 / M20 mounting fixing for ironflats or on cantilever bracket
One-point fixing	<ul style="list-style-type: none"> on top of a pole 42,5 / 64 / 76 mm DSI bracket
Backing boards	fixing on the back of the housing
Housing / front colours	<ul style="list-style-type: none"> RAL 9005 black / RAL 9005 black RAL 6009 fir-green / RAL 6009 fir-green RAL 7001 silver-gray / RAL 9005 black RAL 7032 light grey / RAL 9005 black RAL 6009 fir-green / RAL 9005 black RAL 2000 orange / RAL 9005 black
Certificates	EN 12368, CE

HEIGHT X

200 mm	1K	2K	3K	4K
PC 70	462 +/- 12	742 +/- 10	1022 +/- 8	-
PC 175	479 +/- 5	758 +/- 4	1038 +/- 3	-
Alu 105 / 183 / 240	469 +/- 15	749 +/- 14	1029 +/- 13	1309 +/- 12
300 mm	1K	2K	3K	4K
Alu 105 / 183 / 240	554 +/- 15	924 +/- 14	1294 +/- 13	1664 +/- 12

All figures in mm



Two-point fixing